



WSV25

25L Thermal Circulator Integrated Water Bath



25L Thermal Circulator Integrated Water Bath



MAIN FEATURES

- 5 reprogrammable memory settings
- Temperature accuracy +/- 1°F (.05°C)
- Integrated hose system easily and safely removes water from reservoir
- One-touch controls enable you to quickly set and adjust time and temperature
- All-stainless steel construction
- Circulates 6L of water per minute
- Temperature range 95°F (35°C) to 194°F (90°C)
- 99-hour timer
- 25-liter capacity (6.6 gallons)
- 120V, 1560W
- Limited One Year Warranty

ELECTRICAL

Voltage: 120

Frequency: 50/60Hz

Watts: 1560

Amps: 13

Plug Type: NEMA 5-15P 

Cord Length: 3.5 feet



SALES FEATURES

Safely cook, hold and rethermalize food to the perfect temperature without ever overcooking. Our stainless steel thermal circulator is available with a compact or large water tank, complete with cover, rack, rack lift and drain hose. Out of the box, just add water and you're ready to achieve ideal texture, taste, and tenderness of meats, seafood, vegetables and more. Cook a variety of foods at the same time.



@waringcommercial

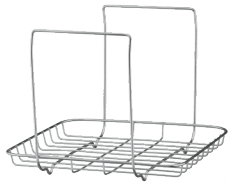
©2019 Waring Commercial
314 Ella T. Grasso Avenue, Torrington, CT 06790
Tel. 800-492-7464 • Fax 860-496-9008

waringcommercialproducts.com

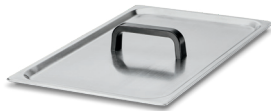
WSV25



PARTS & ACCESSORIES



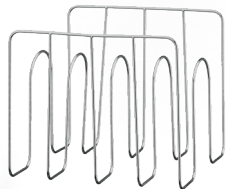
WSV25LRK Lift Rack



WSV25CVR Cover

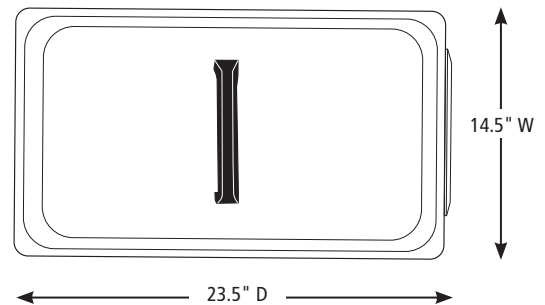
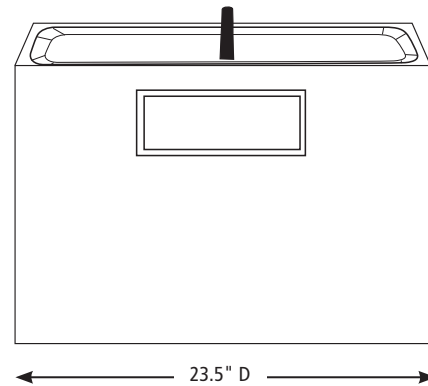
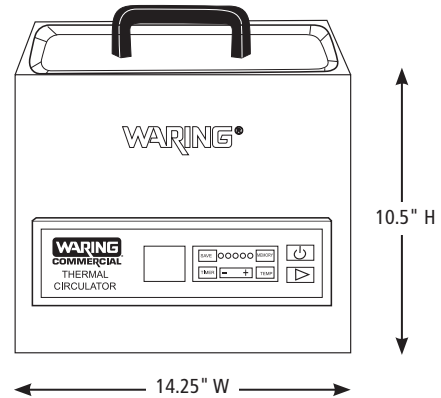


WSV16DH Drain Hose



WSV25RK Rack

DIMENSIONS



Out of Box Weight: 20 lb.

ORDERING INFORMATION	#STD. PKG.	GIFTBOX WEIGHT	CUBIC FEET	BOX DIMENSIONS L X W X H	UPC	CASE PKG.	MC WEIGHT	MC DIMENSIONS L X W X H	MBC
WSV25 – 25L Thermal Circulator Integrated Water Bath	1	26	3.43	25" x 16.875" x 13.125"	040072037627	1	28	25.5" x 17.5" x 13.875"	10040072037624



@waringcommercial

©2019 Waring Commercial
314 Ella T. Grasso Avenue, Torrington, CT 06790
Tel. 800-492-7464 • Fax 860-496-9008

waringcommercialproducts.com

19WC059777 / REV 08/19