



# WCS300SV

## 12" Silver Professional Food Slicer



### MAIN FEATURES

- 1 HP\* commercially rated motor
- 12" blade, crafted in Italy of tempered, hard chrome for long-lasting sharpness
- Cast aluminum base and carriage ensures sturdy slicing
- High-efficiency, ventilated induction motor prevents overheating and runs quietly
- Belt-driven, with fixed blade for slicing ease and precision
- Easily adjustable slicing thickness from 0"–.59" (0–14.9mm)
- Made in Italy
- Limited One Year Warranty

\*Peak Input

### ELECTRICAL

Voltage: 120

Frequency: 60 Hz

Amps: 1.5

Plug Type: NEMA 5-15P 

Cord Length: 4 feet



### SALES FEATURES

The WCS300SV is Waring's largest and most powerful food slicer. Built in Italy, with a commercially rated 1 HP\* motor, it handles the big jobs without slowing down. The extra wide, 12" blade is made of tempered hard chrome and holds its sharp edge for long-lasting, precision slicing. The blade easily adjusts slice thickness from 0–.59 in. to cut a variety of foods into perfect slices. Waring's heavy-duty food slicer features a tilt-out carriage design for easy cleanup.



@waringcommercial

©2019 Waring Commercial  
314 Ella T. Grasso Avenue, Torrington, CT 06790  
Tel. 800-492-7464 • Fax 860-496-9008

[waringcommercialproducts.com](http://waringcommercialproducts.com)

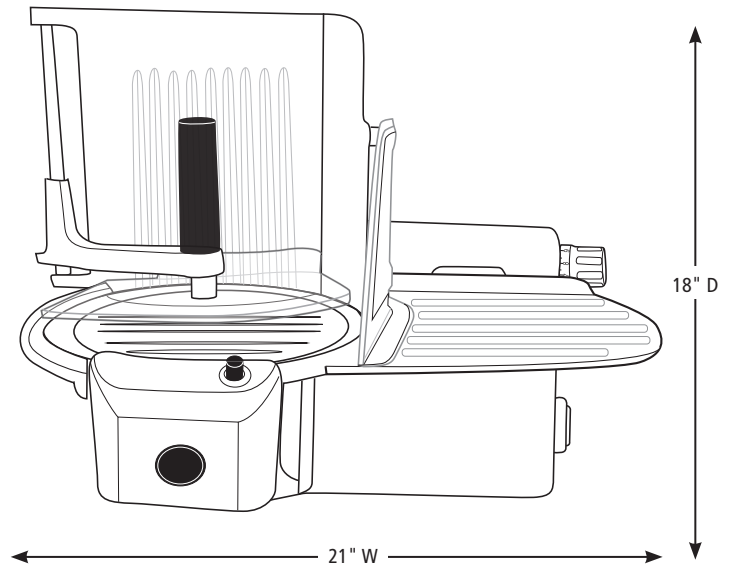
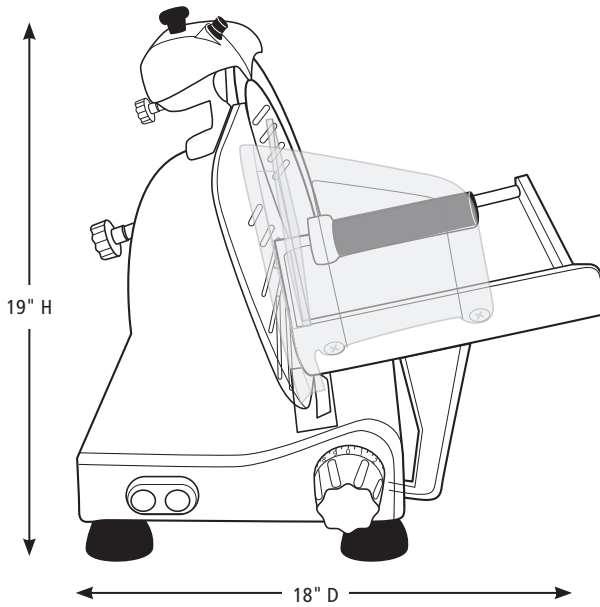
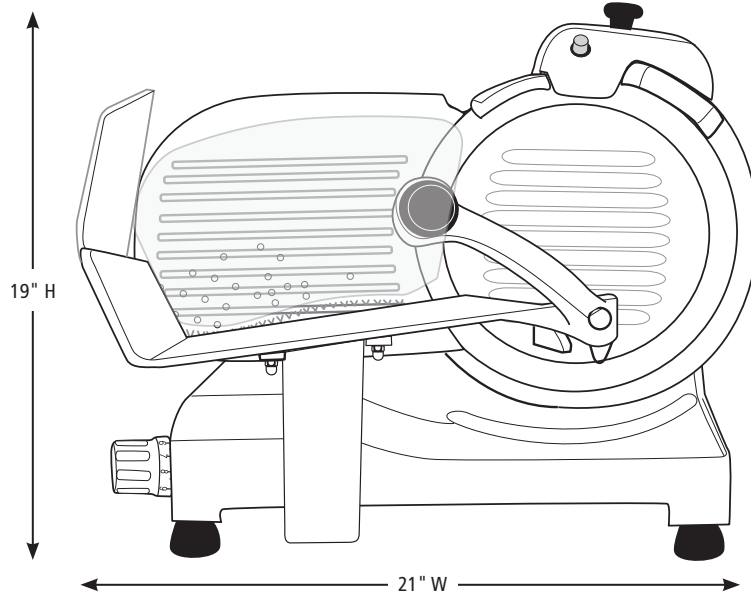
12" Silver Professional Food Slicer

WCS300SV



# 12" Silver Professional Food Slicer WCS300SV

## DIMENSIONS



Out of Box Weight: 38.5 lb.

| ORDERING INFORMATION                          | #STD. PKG. | GIFTBOX WEIGHT | CUBIC FEET | BOX DIMENSIONS D X W X H | UPC          | CASE PKG. | MC WEIGHT | MC DIMENSIONS D X W X H | MBC            |
|-----------------------------------------------|------------|----------------|------------|--------------------------|--------------|-----------|-----------|-------------------------|----------------|
| WCS300SV- 12" Silver Professional Food Slicer | 1          | 45.5 lb.       | 7.1        | 26" x 22.5" x 21.1"      | 040072080340 | 1         | 48.1 lb.  | 26.6" x 23.1" x 22.2"   | 10040072080347 |



@waringcommercial

©2019 Waring Commercial  
314 Ella T. Grasso Avenue, Torrington, CT 06790  
Tel. 800-492-7464 • Fax 860-496-9008

waringcommercialproducts.com

19WC059750 / REV 08/19