



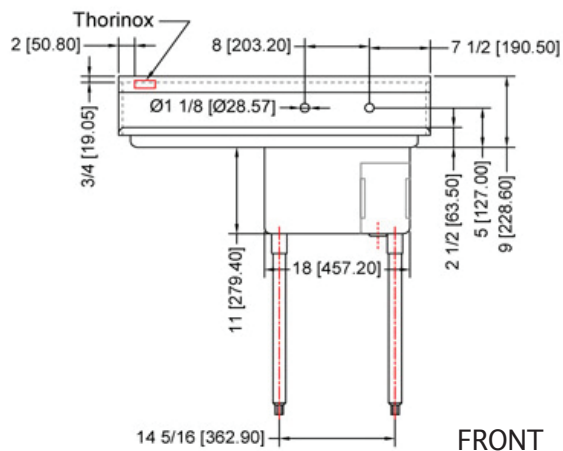
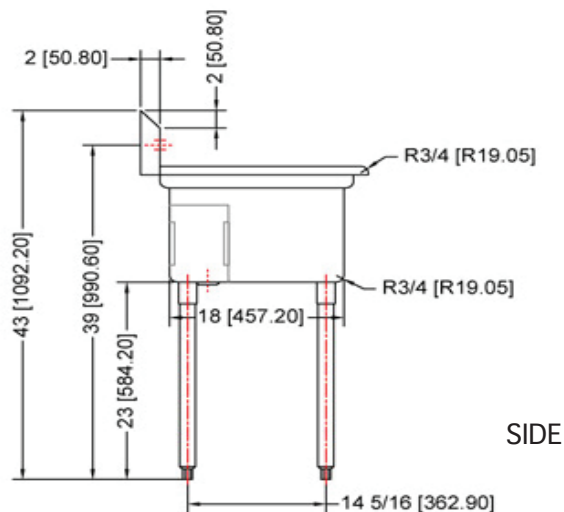
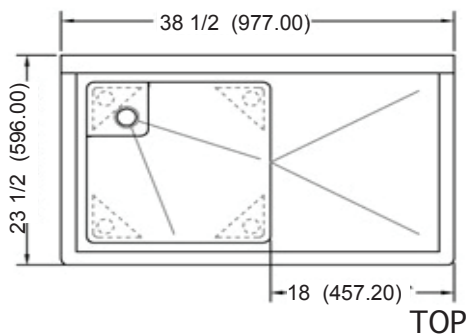
TSS-1818-R18

SINGLE SINK, RIGHT DRAINBOARD



Characteristics

- 304 stainless steel
- Well polished welded seams
- Die-stamped creased drainboards for positive drainage
- Curved corners and rolled edges
- 9" Backsplash with 45° return
- Stainless steel legs, braces, bulletfeet and socket
- Faucet width: 8"
- 18 gauge stainless steel



Distributed by:

DISTEX

www.distex.ca

Your Premium Partner