



Range of California, Inc.

Item: \_\_\_\_\_

Quantity: \_\_\_\_\_

Project: \_\_\_\_\_

Manual Griddle

# Manual Griddle

Models:	<input type="checkbox"/> RMG-12	<input type="checkbox"/> RMG-18	<input type="checkbox"/> RMG-24	<input type="checkbox"/> RMG-36
	<input type="checkbox"/> RMG-48	<input type="checkbox"/> RMG-60	<input type="checkbox"/> RMG-72	



Gas Type:  Natural  LP

Elevation (if above 2000 ft.): \_\_\_\_\_

## Options and Accessories

- 1" thick griddle plate
- Grooved griddle (specify width: \_\_\_\_\_")
- Chrome griddle plate
- Stainless Steel Equipment Stand
  - Knock Down  All Welded

### Size

- 12"  18"  24"  30"  36"  48"  60"  72"
- 5" swivel casters (set of four - 2 locking)
- 5" swivel casters (set of six - 3 locking) (60" and 72" models)

## Standard Features

- NEW 11" Low Profile
- NEW large 1½ gallon capacity stainless steel grease can
- Compact heavy gauge chassis for long life
- Stainless steel sides, front valve cover and ledge
- Double wall panels for cooler sides
- Aeration panels between the burners for added efficiency
- Steel "U" shaped burner every 12" rated at 30,000 BTU/hr
- 3/4" thick griddle plate with polished cooking surface
- Manual control for each burner
- 4" wide S/S grease trough with large drain opening for easy cleaning
- Stainless steel tubing for pilots
- 4" high adjustable heavy duty legs included
- One year limited warranty, parts and labor



Intertek Intertek

Royal Range of California, Inc.

3245 Corridor Dr. • Eastvale, CA 91752 • (800) 769-2414 • (951) 360-1600

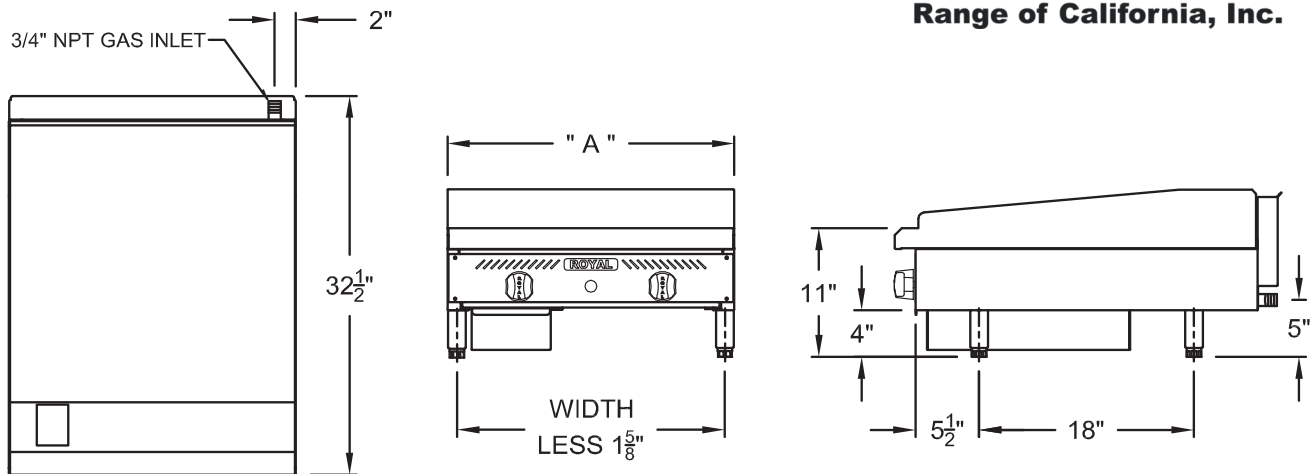
Fax: (951) 360-7500 • www.royalranges.com • sales@royalranges.com



# Manual Griddle



Range of California, Inc.



Model Number	Width (A)	Number of Burners	Total BTU	Ship Weight
RMG-12	12"	1	30,000	140 lbs.
RMG-18	18"	1	30,000	165 lbs.
RMG-24	24"	2	60,000	210 lbs.
RMG-36	36"	3	90,000	290 lbs.
RMG-48	48"	4	120,000	370 lbs.
RMG-60	60"	5	150,000	460 lbs.
RMG-72	72"	6	180,000	540 lbs.

### Gas Connection:

3/4" NPT on the right hand rear of the appliance.  
The pressure regulator (supplied) is to be connected by the installer.

### Gas Pressure:

5" W.C.	Natural Gas
10" W.C.	Propane

### Clearances:

	Combustible	Non-Combustible
Rear	6"	0"
Sides	15"	0"

Specify type of gas and altitude, if over 2,000 feet, when ordering.

Due to continuing product development to ensure best possible performance, these specifications are subject to change without prior notification.

**Royal Range of California, Inc.**  
3245 Corridor Dr. • Eastvale, CA 91752 • (800) 769-2414 • (951) 360-1600  
Fax: (951) 360-7500 • www.royalranges.com • sales@royalranges.com