

Project: _____

Item No: _____

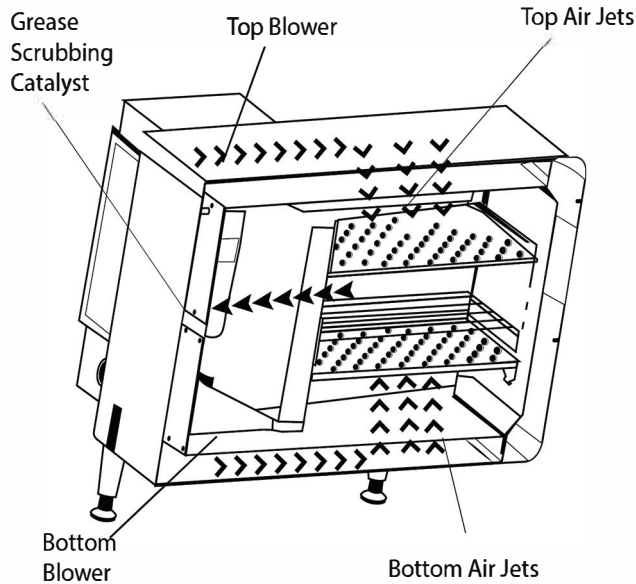
Quantity: _____

The Matchbox® 1718 Oven



MORE AIR = BETTER QUALITY, FASTER

Patented air flow technology means 3x more air than traditional impingement.



STANDARD FEATURES

- Independently controlled top and bottom blowers with speeds up to 1100 CFM (ft³/min)
- Quiet work environment- maximum dB of 69
- Cool-to-the-touch exterior
- Reduced energy consumption (documentation available)
- Less impact on HVAC costs (documentation available)
- Warranty - 1 year parts and labor
- Load and unload food automatically
- Precision Impingement™ utilizes hot air for a fast, high-quality cook without microwaves
- FlexTemp technology changes cavity temperature by up to +/- 50°F between cook cycles

OPERATION

- Dual touch screen display with security passcode
- Holds up to 1,000 multistage recipes
- USB port – upload and download recipes, view cook logs, diagnostic mode

PERFORMANCE

- Fits up to 16" pizza a or a half size sheet pan
- Grill, roast, bake, steam, broil, and fry
- Use any oven-safe pans. Specialty pans available

CONSTRUCTION

- 301 stainless steel interior
- 430 stainless steel exterior
- Easy to clean design (filters and jet plates are dishwasher safe)

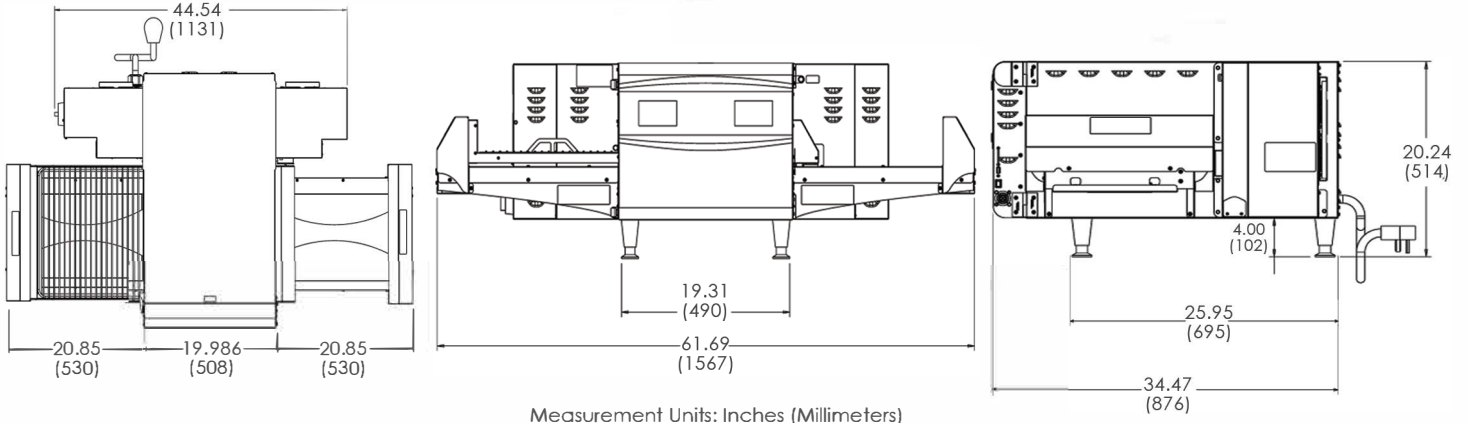
VENTILATION

- UL listed for operation without a Type 1 hood in accordance with EPA 202 test
- UL listed for multiple stacking configurations
- Performs 10x better than the required UL grease emission standard

PROUDLY MADE IN THE USA



The Matchbox® 1718 Oven



DIMENSIONS			ELECTRICAL SPECIFICATIONS		
Height	16.24"	413 mm	Temperature Range	82-525°F	28-274°C
With Legs	20.24"	514 mm	Volts	208/240 VAC	 NEMA 6-50
Width	61.69"	1567 mm	Watts	11.76 kW	
Depth	34.47"	876 mm	Amperage	44/49 Amp	
Weight	228 lbs.	103.4 kg	Phase	1 ph	
Minimum Clearance	0" Top	0 mm Top	Frequency	60 Hz	
	2" Back	51 mm Back	Cord Length	72"	1829 mm
	0" Side	0 mm Side	SHIPPING SIZE		
OVEN CAVITY DIMENSIONS			Cube (L x W x H)	68" x 41" x 31"	1727 mm x 1041 mm x 787 mm
Height	3.5"	89 mm	Shipping Weight	312 lbs.	141.5 kg
Width	17"	432 mm	Freight Class	125	
Depth	18"	458 mm	FOB	Sturgeon Bay, WI, USA	

*If units are stacked, 6" (152 mm) back clearance needed

PROUDLY MADE IN THE USA