

**efi** sales Ltd.

Equipment for the Foodservice Industry  
value + quality + service

## Hot Plates

RCTHP-12-2



\*Optional Casters and Oven rack available

### RCTHP-12-2

### Features

Features:

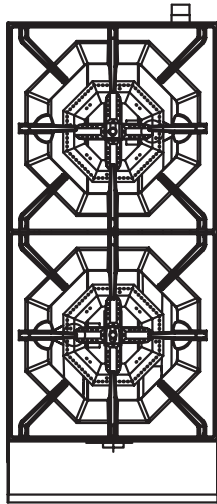
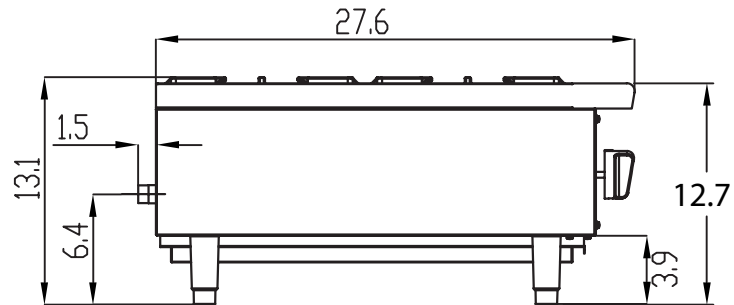
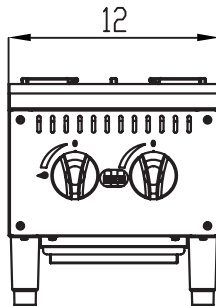
- Durable Stainless Steel structure that is corrosion resistant and easy to clean
- Simple and robust structure, easy to manipulate and maintain
- Highly efficient Stainless Steel burner

- Independent manual controls to save the energy Available in natural gas & propane
- Adjustable stainless steel legs included

Warranty:

- One year limited warranty parts and labour
- Specifications subject to change without notice



**RCTHP-12-2****Specifications**

Model	Burners	Ignition	Gas type	Intake-tube pressure (in.W.C.)	Per BTU B.T.U./h	Total BTU B.T.U./h	Nozzle No.	Net weight (LBS) rock
RCTHP-12-2-N	2	Manual	NG	4	25,000	50,000	#43	55.1
RCTHP-12-2-P			LP	10	25,000	50,000	#53	