



460 Southport Commerce Blvd.  
 Spartanburg SC 29306  
 Phone: 864-574-6004  
 Fax: 864-574-6005  
 www.ojedausa.com  
 sales@ojedausa.com

Project: \_\_\_\_\_  
 Model #: \_\_\_\_\_  
 Item #: \_\_\_\_\_ Qty: \_\_\_\_\_  
 Approval: \_\_\_\_\_

# ICE CREAM FREEZERS

# NB-34



**ADJUSTABLE THERMOSTAT**  
 Freezers are equipped with a mechanical thermostat that allows the users to adjust temperature that best fits their products needs. Set from factory at -4°F.

**STEEL CONSTRUCTION**  
 Robust steel construction minimizes the use of plastic materials resulting in an environmental friendly design.

**HEAVY DUTY CASTERS**  
 Equipped with durable casters that allow easy and fast movement in the store.

**HIGH IMPACT ABS FRAME**  
 Made of a high impact durable plastic, this frame assures a long-term life span.

**TOP LIGHT BAR**  
 Optional top light bar for custom graphics.

**OPERATING TEMPERATURE**  
 -10°-0°F

**CUSTOM GRAPHICS**  
 Standard color: white

Dimensions			Crated Dimensions			Baskets	HP	Voltage	NEMA config	Amps	Crated Weight
W	D	H	W	D	H	3	1/5	120	5-15P	4.8	140 lbs
(in) 34	26.3	37	(in) 40	29	39	Net Capacity (cf): 6.89			Energy Consumption: 1.436		
(mm) 863	668	939	(mm) 1016	736	990						

\*Specifics may change without notification



## CABINET CONSTRUCTION

- High-density, CFC-Free, polyurethane insulation
- Low-E tempered sliding glass lids with lock and keys
- High impact ABS top frame
- Exterior: galvanized metal cabinet with powder coated painted surface
- Interior: easy to clean pre-painted steel
- Heavy duty casters
- Drain plug for easy cleaning
- Holds 8-3 gallon tubs
- Stores 6-3 gallon tubs in bottom

## OPERATING CONDITIONS

- The unit is best suited for an environment where temperatures remain below 85 F and humidity does not exceed 55%
- Areas with direct sunlight should also be avoided

## OPTIONS

- Two ring tub holders
- Top light bar
- Removeable Baskets

## REFRIGERATION

- Maintenance free condenser
- Adjustable thermostat
- Easy to reach components for repairs
- Triple access air flow compressor compartment

## WARRANTY

- 3 year parts and labor warranty
- 5 year compressor part

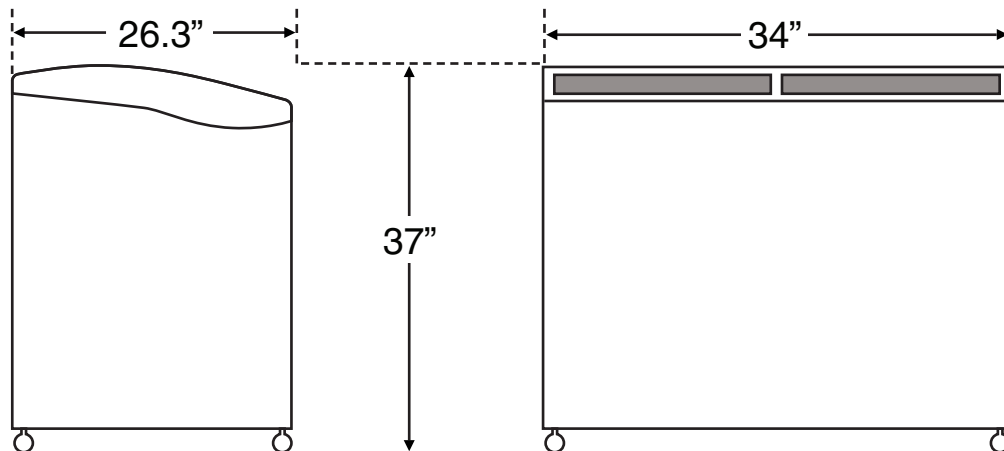
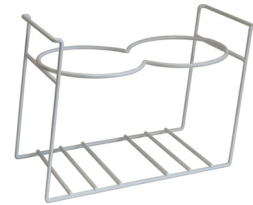
## HEAVY DUTY CASTERS



## TOP LIGHT BAR



## RING TUB HOLDERS



\*Specifics may change without notification

