



RF-0244 / RF-0266 Flake Ice Machines

Model

- RF-0244A RF-0266A



Model RF-0244A
Flake Ice Machine

Model RF-0266A
Flake Ice Machine

Standard Features

- Up to 181 lbs. (82 kgs) daily flake ice production.
- Up to 60 lbs. (27 kgs) ice storage capacity.
- High load capacity bearings for enhanced reliability.
- Heavy duty stainless steel cabinet resists corrosion.
- Easy access door, slides up & out of the way.

Warranty

- 3-year Parts
- 2-year Labor
- Compressor parts for 5 years and labor for 2 years.

Standard Equipment

RF-0244A / RF-0266A

Ice Scoop, 6" Bin Legs, Alternate Low Profile Legs Standard Legs Adjustable from 4-1/2" to 6" Low Profile Non-Adjustable 1/4"

Ice Machine Electric

*115/60/1. (230/50/1 also available.)
115/60/1 ice machines are factory pre-wired with a 6' (180 cm) power cord and NEMA 5-15P plug configuration.

*230/50/1 ice machines are factory pre-wired with a 6' (180 cm) power cord with either: no plug or prewired with Schuko or Blade "G Type" Plugs.

Total ampacity:

Air-cooled: 7.5 amps.

Maximum fuse size:

Air-cooled: 15 amps.

HACR-type circuit breakers can be used in place of fuses

Specifications

Condenser Heat of Rejection (BTU per hour):
2,400 (average)

Compressor:
Nominal rating: 1/4 HP

Refrigerant:
R-404A

Operating Limits:

- Ambient Temperature Range:
50°-110°F (10°-43°C)
- Water Temperature Range:
37°-90°F (3°-32°C)
- Water Pressure Ice Maker Water In:
Min. 14 psi (96.5 kPa)
Max. 80 psi (551.6 kPa)

Ice Shape

Flake ice is small hard bits of ice ideally suited for presentation applications.



Ice shown actual size

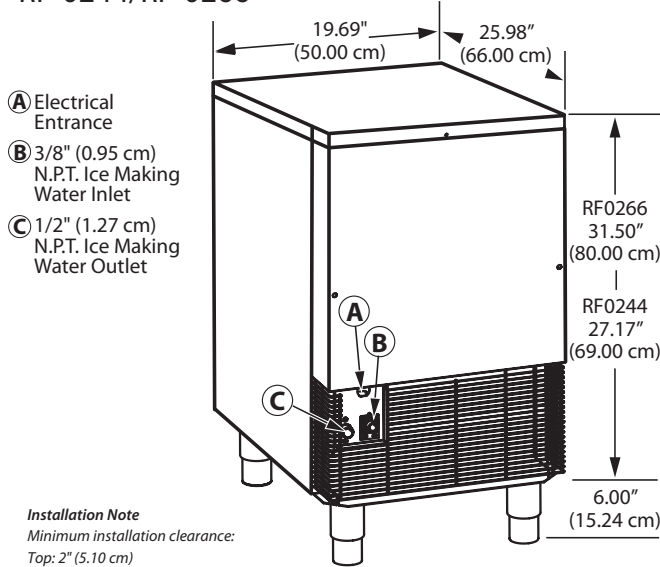


QUALITY MANAGEMENT SYSTEM
CERTIFIED BY DNV



RF-0244 / RF-0266 Flake Ice Machines

RF-0244/RF-0266



- Ⓐ Electrical Entrance
- Ⓑ 3/8" (0.95 cm) N.P.T. Ice Making Water Inlet
- Ⓒ 1/2" (1.27 cm) N.P.T. Ice Making Water Outlet

Installation Note
 Minimum installation clearance:
 Top: 2" (5.10 cm)
 Sides: 8" (20.32 cm)
 Back: 5" (12.70 cm)

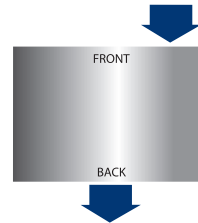
Space-Saving Designs



	RF-0244A	RF-0266A
Height	33.17" 84.24 cm	37.50" 95.24 cm
Width	19.69" 50.00 cm	19.69" 50.00 cm
Depth	25.98" 66.00 cm	25.98" 66.00 cm
Bin Storage	40 lbs. 18 kgs	60 lbs. 27 kgs

Height includes adjustable bin legs 4.50" to 6.00" (11.43 cm to 15.24 cm) set at 6.00" (15.24 cm).

Air Flow Overhead View



Air-cooled Ice Machine	Model	Ice Shape	Ice Production 24 Hours		Power kWh/100 lbs @ 90°Air/70°F 32°Air/21°C	Potable Water Usage (100 lbs./45.4 kgs of Ice)	Bin Storage Capacity
			70°Air/50°F Water 21°Air/10°C Water	90°Air/70°F Water 32°Air/21°C Water			
			RF-0244A	Flake			
RF-0266A	Flake	181 lbs. 82 kgs	151 lbs. 68 kgs	7.75	12 gal. 45.4 L	60 lbs. 27 kgs	

"A" following model number indicates "Air" condensing unit.