

# CWTF-TWIN-APS

24.0" x 22.5" x 16.0"  
(61.0cm x 57.2cm x 40.6cm)



- Digital timer enables users to make brew cycle adjustments from the front panel
- Airpots are easily transported to remote meeting rooms, breakfast bars, etc
- Brews directly into 1.9 to 3L airpots
- Convenient airpot keeps coffee hot and fresh for hours
- Hot water faucet
- Pourover feature
- SplashGard® funnel deflects hot liquids away from the hand
- Twin brew head system

Agency:

KUCAS



## Specifications

**Product #:** 23400.0044  
**Water Access:** Plumbed  
**Finish:** Stainless  
**Funnel:** Gourmet Funnel  
**Faucet:** Upper

## Additional Features

## Electrical & Capacity

Volts	Amps	Watts	Cord Attached	Plug Type	8oz cups/hr 236ml cups/hr	Input H <sup>2</sup> O Temp.	Phase	# Wires plus Ground	Hertz
220-240	23.0-25.5	5000-6100	No	-	240	60°F (15.5°C)	1	2	50/60

## Plumbing Requirements

PSI	kPa	Fitting Supplied	Water Flow Required (GPM)
20-90	138-621	3/8" Male Flare Fitting	-

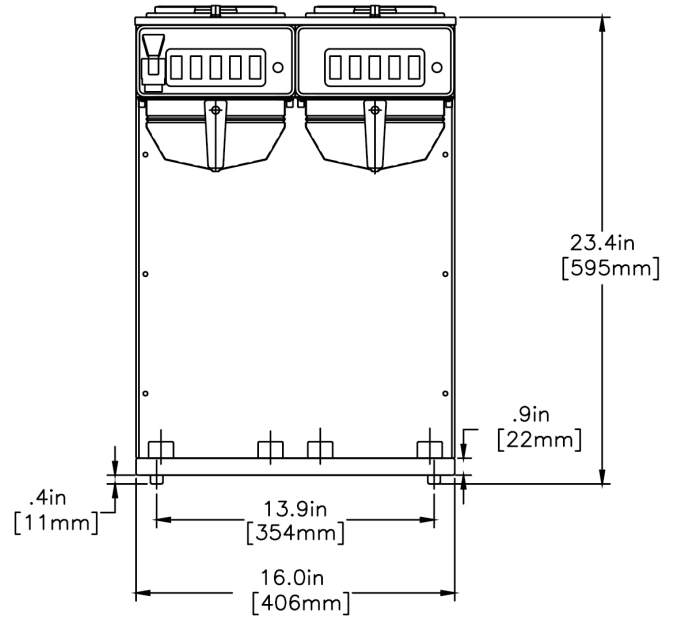
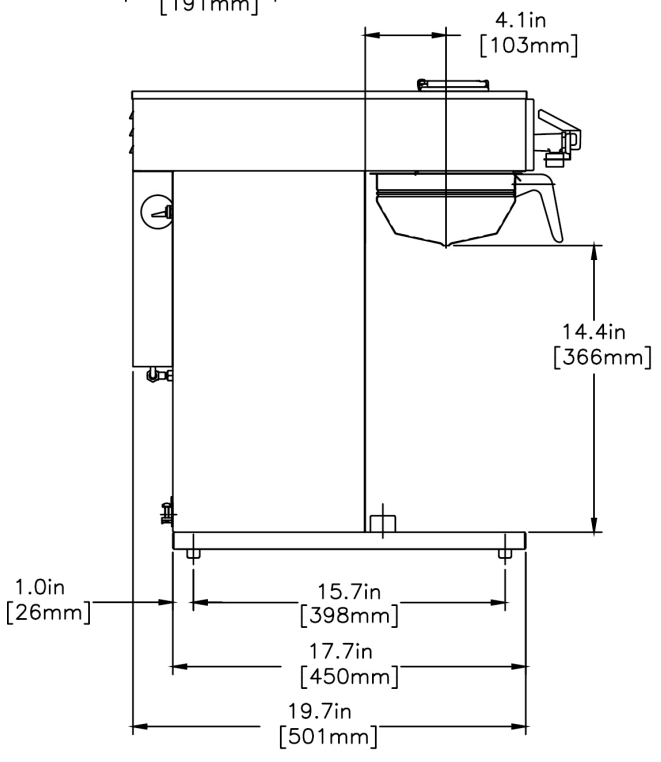
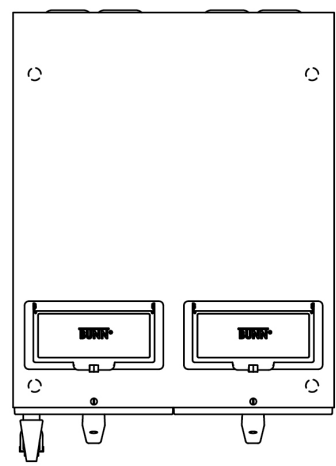
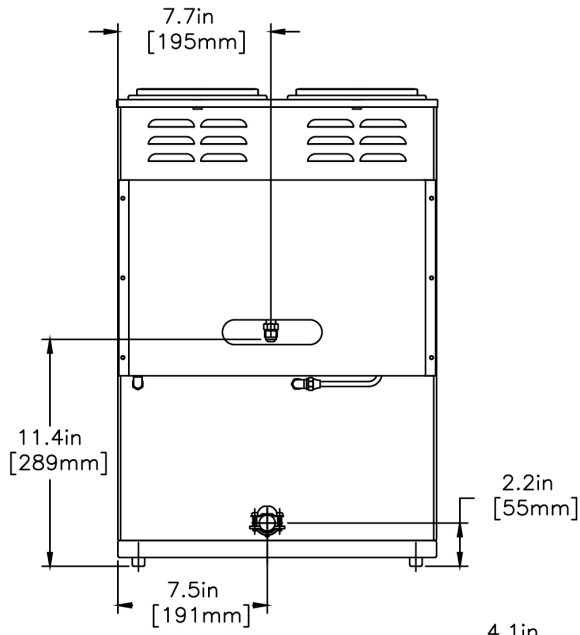
## CAD Drawings

2D	Revit	KLC
●		



BUNN® reserves the right to change specifications and product design without notice. Such revisions do not entitle the buyer to corresponding changes, improvements, additions or replacements for previously purchased equipment. For most current specifications and other info visit [bunn.com](http://bunn.com).

Created on:  
11/14/2018



	Unit			Shipping				
	Width	Height	Depth	Width	Height	Depth	Weight	Volume
English	16.0 in.	24.0 in.	22.5 in.	19.9 in.	28.5 in.	25.8 in.	64.000 lbs	7.684 ft <sup>3</sup>
Metric	40.6 cm	61.0 cm	57.2 cm	50.5 cm	72.4 cm	65.5 cm	29.030 kgs	0.218 m <sup>3</sup>



BUNN® reserves the right to change specifications and product design without notice. Such revisions do not entitle the buyer to corresponding changes, improvements, additions or replacements for previously purchased equipment. For most current specifications and other info visit [bunn.com](http://bunn.com).

Created on:  
11/14/2018

## Related Products & Accessories: CWTF-TWIN-APS(23400.0044)



FILTERS TEA/SYS2  
500PK/1 50/CL

Product #: 20100.0000



FILTERS,C GOURMET  
500/2 50/CL

Product #: 20157.0001



FUNNEL AY,W/DECAL  
GRT "C"7.12

Product #: 34559.0000



FUNNEL AY,W/DECAL  
GRT "C"7.62

Product #: 34559.0001



WATER FILTER,  
EQHP-10L

Product #: 39000.0001



WATER FILTER,  
EQHP-10

Product #: 39000.0004



BUNN® reserves the right to change specifications and product design without notice. Such revisions do not entitle the buyer to corresponding changes, improvements, additions or replacements for previously purchased equipment. For most current specifications and other info visit [bunn.com](http://bunn.com).

Created on:  
11/14/2018

# Serving & Holding Options: CWTF-TWIN-APS(23400.0044)



AIRPOT, 2.5L GL PB  
SINGLE PK

Product #:13041.0001



AIRPOT, 2.5L GL PB 6/  
CASE

Product #:13041.0101



AIRPOT, 2.2L GL PB  
SINGLE PK

Product #:28696.0002

NO IMAGE  
AVAILABLE

AIRPOT, 2.2L GL PB 6/  
CASE

Product #:28696.0006



AIRPOT, 2.5L SST LA  
SINGLE PK

Product #:32125.0000



AIRPOT, 2.5L SST LA 6/  
CASE

Product #:32125.0100



AIRPOT, 3.0L SST LA  
SINGLE PK

Product #:32130.0000



AIRPOT, 3.0L SST LA 6/  
CASE

Product #:32130.0100



AIRPOT, 2.2L GL LA 6/  
CASE

Product #:32700.0000



AIRPOT, 3.8L SST LA  
SINGLE PK

Product #:36725.0000



AIRPOT, 3.8L SST LA 6/  
CASE

Product #:36725.0100



AIRPOT, 2.2L SST LA  
SINGLE PK

Product #:44311.0000



BUNN® reserves the right to change specifications and product design without notice. Such revisions do not entitle the buyer to corresponding changes, improvements, additions or replacements for previously purchased equipment. For most current specifications and other info visit [bunn.com](http://bunn.com).

Created on:  
11/14/2018