

PROJECT :	
MODEL # :	
ITEM # :	QTY :
AVAILABLE W/H :	
APPROVAL :	

Chest Freezer



BACF11

BACF15

STANDARD FEATURES

COLD WALL REFRIGERATION SYSTEM DESIGNED TO HOLD UP TO -15°F

TEMPERED GLASS SLIDING DOOR WITH HEAT REFLECTIVE FILM

PRE COATED WHITE STEEL EXTERIOR AND INTERIOR
HEAVY DUTY, DURABLE AND EASY TO CLEAN

EQUIPPED WITH SWIVEL CASTERS WITH FRONT BRAKES

DRAIN PLUG IN FLOOR FOR EASY CLEANING

ADJUSTABLE DIGITAL TEMPERATURE CONTROL

CFC FREE HIGH DENSITY CELL POLYURETHANE INSULATION

STANDARD EPOXY COATED WHITE BASKET TO KEEP SMALLER ITEMS IN PLACE



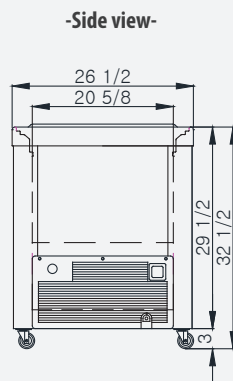
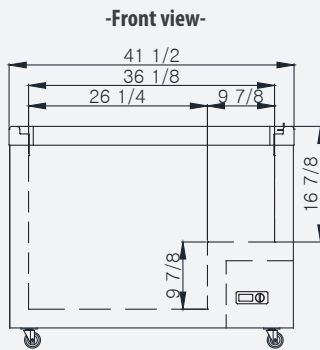
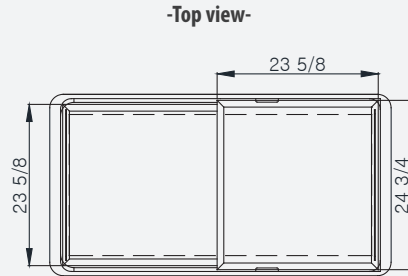
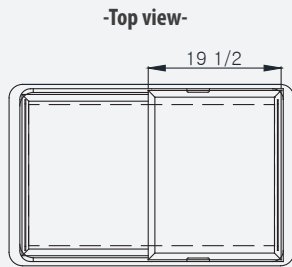
WARRANTY
1 Years Parts and Labor
5 Years on Compressor in USA

APPROVALS:

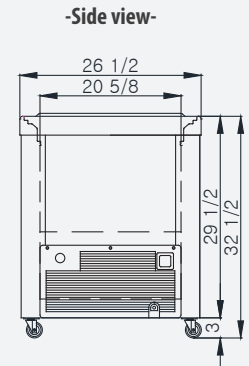
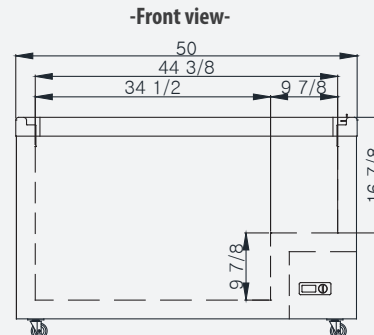
AVAILABLE AT:

Chest Freezer

Product plan View



[BACF11]



[BACF15]

Product Specification

Chest Freezer

Model	Product Description				Temperature Range			Cord Length (ft/m)		
	Chest Freezer				-15 °F - 0°F			9.8ft (3m)		
	Refrigerant		Voltage		NEMA Config.		Foot			
	R-134a		115V/60Hz		NEMA5-15		4 Casters			
	Doors	Capacity (Cu. Ft.)	Baskets	Cabinet Dimensions (inches / mm)			HP	Amps	Net Weight (lbs/kg)	Ship Weight (lbs/kg)
			L	D	H					
BACF11	2	11	4	41 1/2"(1056mm)	26 1/2"(671mm)	32 1/2"(825mm)	1/5	1.5	145(66)	159(72)
BACF15	2	15	4	51"(1266mm)	26 1/2"(671mm)	32 1/2"(825mm)	3/8	1.8	159(72)	187(85)

* BLUE AIR has the right to change specifications without further notice.